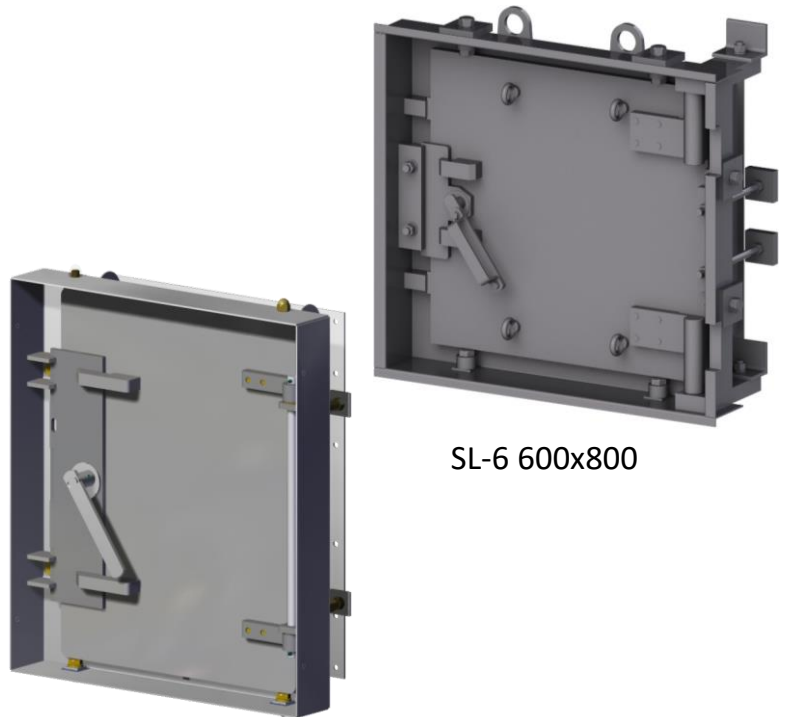


APPLICABLE FOR:

- ✓ Civil Defence and Government Shelters
- ✓ Protective Structures and Applications
- ✓ Critical Infrastructure and Strategic Assets
- ✓ Command and Control Centers
- ✓ Oil & Gas, Chemical and other types of Hazardous Industries
- ✓ Explosives & Dangerous Materials Storage Facilities
- ✓ Nuclear Power Plants



SL-1 700x1200

SL-6 600x800

Temet's Blast Hatches:

Designed to be embedded into the concrete structure and used in hardened shelters and blast protected special purpose structures to stop the blast wave. Allowing the blast load to enter the protected space can seriously harm people and equipment. Blast hatches are typically used for securing the emergency exit and maintenance access for utility shaft. The hatches can also be provided with gaskets to enhance the gas tightness of the protected area.

Temet offers a wide range of blast hatches, both standard and special designed, that can be manufactured in various sizes and blast ratings. All Temet blast hatches provide robust and reliable design for ease-of-use with minimal maintenance.

Highlights and Characteristics:

- Installed in thousands of applications and approved by various government and civil organizations
- Designed to withstand multiple long duration blast loads according to customer specification.
- Wide range of standard hatches are constantly being manufactured and have years of proven reliability
- Designed to withstand mechanical shock with rapid change in velocity
- Custom hatches for defense and industrial application, such as bunkers, shelters, explosives storages, embassies and other critical infrastructures, can be designed to withstand blast load pressures even up to hundreds of bars

Disclaimer: All rights reserved. Temet reserves, at any time and without notice, to modify or change the products or information contained herein

V00322-0



Temet is the world's leading expert
in Blast & CBRN protective equipment.

TEMET

www.temet.com