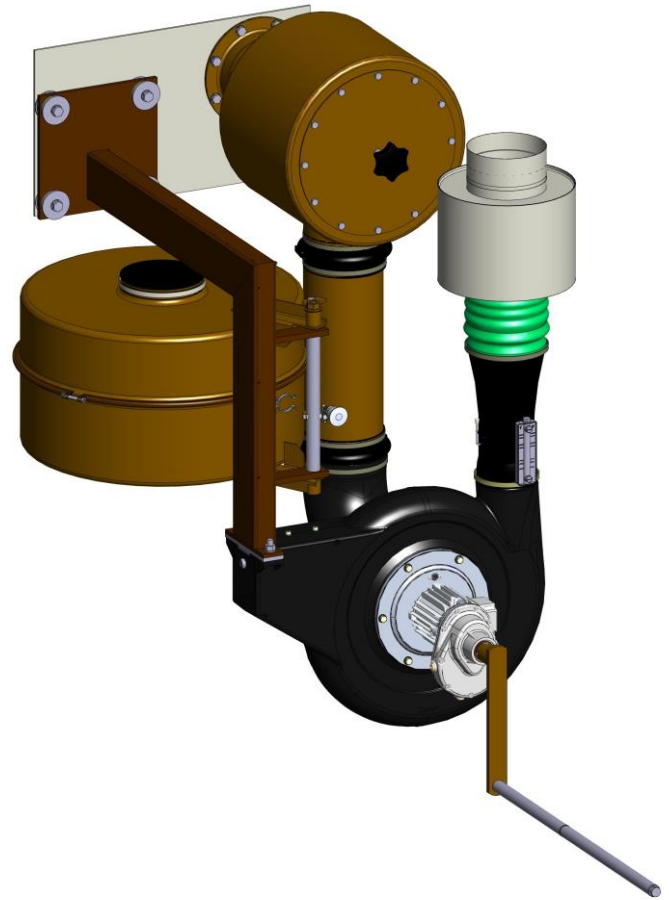


### APPLICABLE FOR:

- ✓ Command and Control Centers
- ✓ Critical Infrastructure / Strategic Assets
- ✓ Blast-Hardened Structures
- ✓ Civil Defence Shelters
- ✓ Hazardous Industries (Oil & Gas, Chemical and other) and Storage Facilities
- ✓ Nuclear Power Plants



### Temet's CBRN unit ESL-150:

The ESL-150 CBRN-filtration unit is used in CBRN-protected civil defence and military shelters for filtration of nuclear fallout and biological and chemical warfare agents with maximum efficiency. The ESL-150 can also be used in CBRN-protected laboratories and field hospital facilities. The unit is installed in the wall to save floor space.

The ESL-150 CBRN-filtration unit comprises the following components: blast valve (PV-1) provided with a gastight closing device and pre-filter, a CBRN-filter (ES-150) and ground shock isolated electrically and manually operated blower (SP-1), an air flow meter, a sound attenuator and an emergency light. The unit provides CBRN-filtrated air flow of 150 m<sup>3</sup> /h, and by-pass air flow of 612 m<sup>3</sup> /h in electric and 486 m<sup>3</sup> /h in manual operation.

ESL-150 CBRN-filtration units are used in small to medium sized shelters. Recommended maximum quantity of ESL-150 units in one shelter is 3 nos.

### Highlights and Characteristics:

- The CBRN filter of the ESL-150 unit is of type Temet ES-150 providing air filtration capacity of 150 m<sup>3</sup> /h.
- The CBRN-filter consists of a HEPA filter and an activated carbon filter. The efficiency of the HEPA filter is at least 99.995% for particles of 0.3 µm.
- Noise (Sound) Level 73 Db (A).
- Number of persons sheltered 5-60.
- Shelter area 20-50 m<sup>2</sup>.
- Filtration airflow 150 m<sup>3</sup> /h.
- By-pass airflow 600 m<sup>3</sup> /h.